



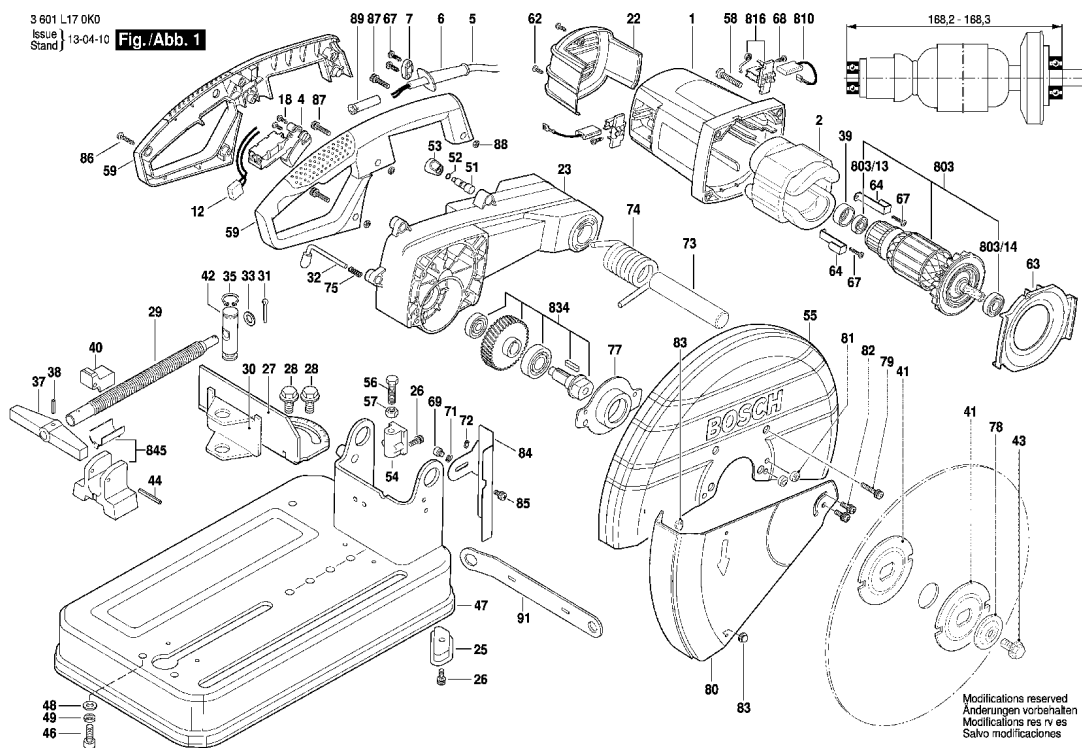
**BOSCH**  
Invented for life

# Spare Parts Price List

GCO 2000

0 601 B17 0K0

3 601 L17 0K0  
Issue Stand 13-04-10 Fig./Abb. 1



Modifications reserved  
Änderungen vorbehalten  
Modificaciones reservadas  
Salvo modificaciones

POS No.	Qty	Part No.	Description	List Price (Rs.)
1	1	1619P03740	Motor Housing .	399
2	1	1619P03860	Field 230V .	1456
4	1	1619P03844	On-Off Switch .	362
5	1	1619P03901	Power supply cord .	248
6	1	1619P03807	Grommet .	34
7	1	1619P03808	Cable Clip .	21
8	1	1619P03902	Nameplate .	
9	1	1619P03747	Manufacturer's namep	
18	1	1619P03837	Raised ctsunk head t.	21
20	1	1619P03847	Warning Plate .	45
22	1	1619P03741	End cap .	89
23	1	1619P03745	Arm .	
25	4	1619P03814	Rubber Bar .	53
26	6	1619P03825	Screw and washer as	21
27	1	1619P03750	Stop Bracket .	177
28	2	1619P03826	Flange Bolt DIN 6921	34
29	1	1619P03753	Clamp Screw .	186
30	1	1619P03758	Clamp Bracket .	272
31	1	1619P03756	Rivet Pin DIN 94-4x2	21
32	1	1619P03748	Locking Pin .	76
33	1	1619P03757	Plain Washer DIN 43	21
35	1	1619P03755	Spring retaining ring [	21
37	1	1619P03751	Clamp Handle .	107
38	1	1619P03752	Spring Pin ISO 1337	21
39	1	1600206030	Rubber Ring .	35
40	1	1609803576	Clamping Block .	247
41	2	1619P03734	Flange .	183
42	1	1619P03761	Connecting Rod .	162
43	1	1619P03735	Flange Bolt DIN 6921	36
44	1	1619P03762	Spring Pin ISO 13337	21

POS No.	Qty	Part No.	Description	List Price (Rs.)
46	2	1619P03827	Socket head cap scre	19
47	1	1619P03730	Base .	1890
48	2	1619P03828	Plain Washer DIN 12	50
49	2	1619P03829	Spring Washer DIN 1	19
51	1	1619P03811	Shaft .	76
52	1	1619P03810	O-Ring 4,5x1,8 .	21
53	1	1619P03809	Cap Nut .	76
54	1	1619P03818	Holding Bracket .	158
55	1	1619P03872	Safety Guard .	1181
56	1	1619P03830	Hexagon Bolt DIN 93	21
57	1	1619P03831	Hex Nut DIN 934-M8	21
58	4	1619P03835	Thread-forming tap. S	21
59	1	1619P03744	Handle .	354
62	2	1619P03832	Screw ECO-SYN St3	21
63	1	1619P03822	Air-Deflector Ring .	91
64	2	1619P03823	Pickup Clip .	46
67	4	1619P03833	Screw ECO-SYN St 3	21
68	2	1619P03834	Screw ECO-SYN St3	21
69	1	1619P03840	Screw ISO 4762-M6x	21
71	1	1619P03841	Spring Washer DIN 1	21
72	1	1619P03839	Stop Screw ISO 402,	21
73	1	1619P03816	Pivot Shaft .	213
74	1	1619P03873	Torsion Spring .	158
75	1	1619P03817	Compression Spring	23
77	1	1619P03806	Gear Cover .	138
78	1	1619P03815	Plain Washer .	46
79	4	1619P03838	Screw M5x30-4.8 .	21
80	1	1619P03846	Flap Guard .	701
81	2	1619P03856	Plain Washer .	36
82	2	1619P03857	Shoulder Screw .	21

\* Refer Accessories Price List

w.e.f 01.04.2015